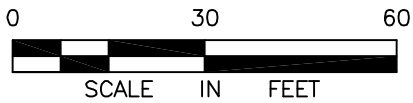
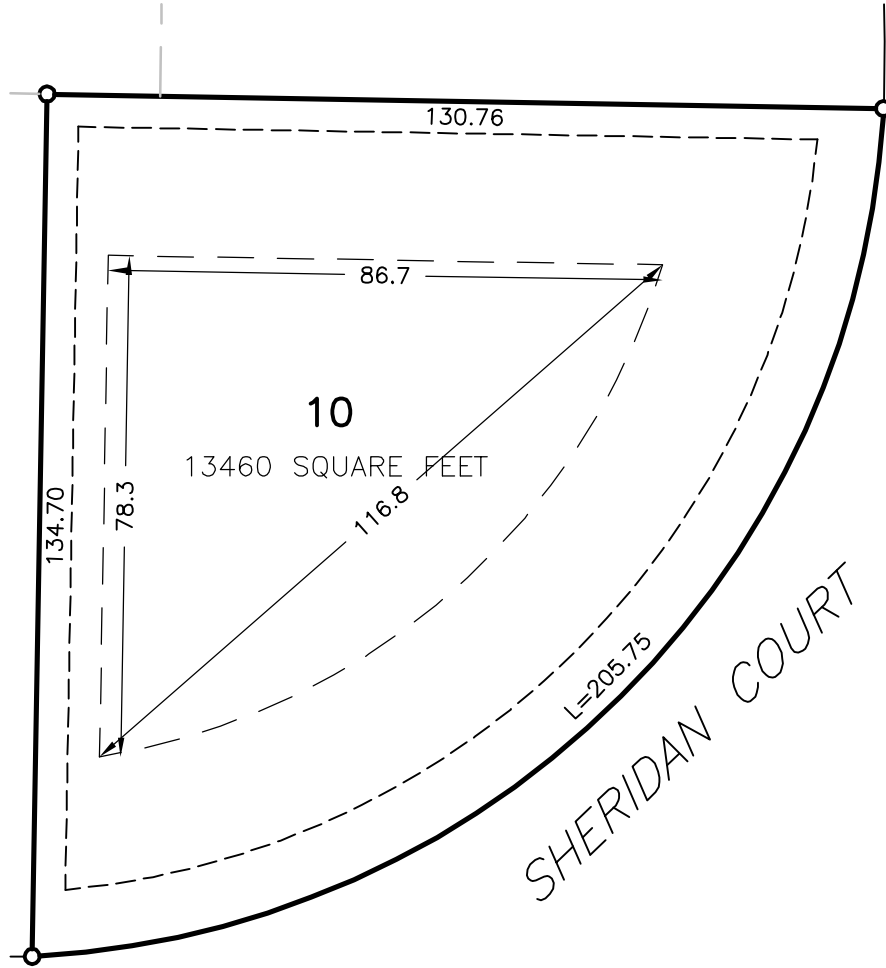


THE LANDING NORTH PHASE 1

LOT 10, BLOCK 2



LEGEND

- 3/4" IRON PIPE MONUMENT SET MARKED BY REG. NO. 19789
- — — SETBACK LINE
- - - - - EASEMENT LINE

©Bolton & Menk, Inc. 2007 All Rights Reserved

LOT SKETCH
CITY OF NORTH MANKATO, MINNESOTA

LOT 10, BLOCK 2, THE LANDING NORTH
PHASE 1, NICOLLET COUNTY

BOLTON & MENK, INC.
Consulting Engineers & Surveyors

1960 PREMIER DRIVE, MANKATO, MN 56001 (507) 625-4171
MANKATO, MN FAIRMONT, MN SLEEPY EYE, MN BURNSVILLE, MN
WILLMAR, MN CHASKA, MN RAMSEY, MN AMES, IA

FOR: KWS, LLC

I:\PRIV\M3338252\LOT SKETCH\BLOCK 2 LOT 10.DWG 11-26-2007 3:23p.m.